



**Scientific technological Center**

Via Bovio 6 – 28100 Novara - NO - Italy

Tel +39 0321697200 - Fax +39 0321 688515 - Email: [info@etneo.com](mailto:info@etneo.com)

[www.etneo.com](http://www.etneo.com)

# 800L BGA Rework Fixture

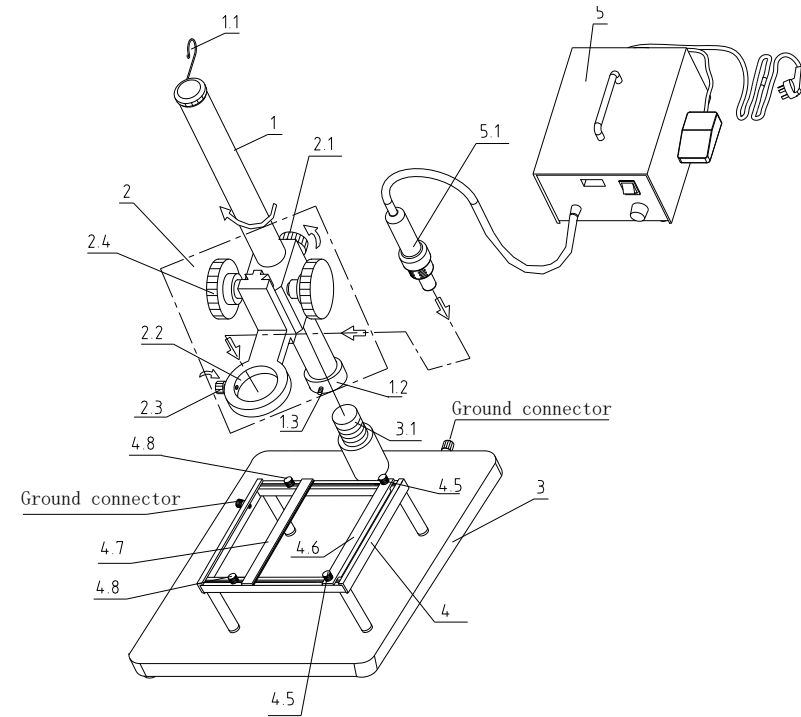


## 1. Technical Parameters

Outer Dimension:	350x250mm
Rough Height(Adjustable):	365mm
Inching Height:	60mm
Dimension of Fixture (for large PCB):	400x300x117mm
PCB usable (max):	305x open side
Dimension of Fixture (for small PCB):	230x180x90mm
PCB usable (max):	145x open side

## 2. Assembling Guide

- 1) As shown in figure 1, connect part 1 to the screw (3.1)of part 3, tighten it.
- 2) Adjust part 2 to appropriate position on part 1 by sliding up and down part 1. When the gap between part 2 and part 4 is needed, fix part 2 please. Make part 1.2 close to part 2 and then turn and tighten part 1.3 (prevent part 2 dropping suddenly).
- 3) Insert Air Gun 5.1 into hole 2.2, and turn 2.3 to fix air gun. Be sure to make hose pass through spring 1.1.
- 4) Part 2.2 can be vertically moved by turning 2.4.
- 5) Part 4.6 can be moved to the position needed by loosening part 4.5.
- 6) Loosen part 4.8, and PCB can be fixed easily by sliding part 4.7.



Picture 1: assembling of the fixture